

**JUMO GmbH & Co. KG**

Delivery address: Mackenrodtstraße 14  
36039 Fulda, Germany  
Postal address: 36035 Fulda, Germany  
Phone: +49 661 6003-0  
Fax: +49 661 6003-607  
Email: mail@jumo.net  
Internet: www.jumo.net

**JUMO UK LTD**

JUMO House  
Temple Bank, Riverway  
Harlow, Essex, CM20 2DY, UK  
Phone: +44 1279 63 55 33  
Fax: +44 1279 62 50 29  
Email: sales@jumo.co.uk  
Internet: www.jumo.co.uk

**JUMO Process Control, Inc.**

6724 Joy Road  
East Syracuse, NY 13057, USA  
Phone: +1 315 437 5866  
Fax: +1 315 437 5860  
Email: info.us@jumo.net  
Internet: www.jumousa.com



# Screw-in RTD temperature probe with terminal head form J

## Areas of application

- Apparatus engineering
- Railway technology
- Heating, ventilation, and air-conditioning
- Mechanical engineering
- Mobile hydrogen applications
- Water and wastewater engineering
- Wind power plants

## Special features

- Single and double RTD temperature probes
- Reliable seal in the event of vacuum and overpressure
- SIL and PL-qualified
- Optional extension tube version
- Optional transmitter

## Description

The screw-in RTD temperature probe measures temperatures in liquid and gaseous media.

The device is suitable for mounting in various applications thanks to different process connections.



Type 902030/11

Type 902030/20

**JUMO GmbH & Co. KG**  
 Delivery address: Mackenrodtstraße 14  
 36039 Fulda, Germany  
 Postal address: 36035 Fulda, Germany  
 Phone: +49 661 6003-0  
 Fax: +49 661 6003-607  
 Email: mail@jumo.net  
 Internet: www.jumo.net

**JUMO UK LTD**  
 JUMO House  
 Temple Bank, Riverway  
 Harlow, Essex, CM20 2DY, UK  
 Phone: +44 1279 63 55 33  
 Fax: +44 1279 62 50 29  
 Email: sales@jumo.co.uk  
 Internet: www.jumo.co.uk

**JUMO Process Control, Inc.**  
 6724 Joy Road  
 East Syracuse, NY 13057, USA  
 Phone: +1 315 437 5866  
 Fax: +1 315 437 5860  
 Email: info.us@jumo.net  
 Internet: www.jumousa.com



## Approval marks and certificates



Certificates for approved device versions are available for download on the manufacturer's website.

## Technical data

Information on connection types of RTD temperature probes and thermocouples ⇒ [Data sheet 900002](#).

Information on terminal heads and terminal bases ⇒ [Data sheet 909715](#).

## Outputs

Transmitter	4 to 20 mA, analog
Resistance signal	Platinum temperature sensor according to DIN EN IEC 60751, see accuracy class

## Environmental influences

Operating temperature	-50 to +400 °C
Admissible ambient temperature	
Terminal head	-40 to +100 °C
Transmitter	-50 to +85 °C
Protection type	IP65

## Mechanical features

Design types	Straight or tapered protection tube Extension tube with straight or tapered protection tube Tapered protection tube for air measurement Rotatable and with spring-loaded screw connection
Materials	
Terminal head	Aluminum die-cast
Protection tube	Stainless steel
Terminal head	Form J
Protection tube	Ø 6 mm (standard) Ø 8 mm
Response times	
In water 0.4 m/s	$t_{0.5} \approx 8 \text{ s}, t_{0.9} \approx 20 \text{ s}, \text{Ø } 8 \text{ mm}$ $t_{0.5} \approx 5 \text{ s}, t_{0.9} \approx 12 \text{ s}, \text{Ø } 6 \text{ mm}$ $t_{0.5} \approx 2 \text{ s}, t_{0.9} \approx 5 \text{ s}, \text{Ø } 6 \text{ mm reduced to Ø } 3.5 \text{ mm}$
In air 3.0 m/s	$t_{0.5} \approx 1 \text{ s}, t_{0.9} \approx 2 \text{ s}, \text{Ø } 6 \text{ mm reduced to Ø } 2.6 \text{ mm}$ $t_{0.5} \approx 40 \text{ s}, t_{0.9} \approx 110 \text{ s}, \text{Ø } 6 \text{ mm}$ $t_{0.5} \approx 25 \text{ s}, t_{0.9} \approx 85 \text{ s}, \text{Ø } 6 \text{ mm reduced to Ø } 3.5 \text{ mm}$ $t_{0.5} \approx 18 \text{ s}, t_{0.9} \approx 65 \text{ s}, \text{Ø } 6 \text{ mm reduced to Ø } 2.6 \text{ mm}$

**JUMO GmbH & Co. KG**

Delivery address: Mackenrodtstraße 14  
 36039 Fulda, Germany  
 Postal address: 36035 Fulda, Germany  
 Phone: +49 661 6003-0  
 Fax: +49 661 6003-607  
 Email: mail@jumo.net  
 Internet: www.jumo.net

**JUMO UK LTD**

JUMO House  
 Temple Bank, Riverway  
 Harlow, Essex, CM20 2DY, UK  
 Phone: +44 1279 63 55 33  
 Fax: +44 1279 62 50 29  
 Email: sales@jumo.co.uk  
 Internet: www.jumo.co.uk

**JUMO Process Control, Inc.**

6724 Joy Road  
 East Syracuse, NY 13057, USA  
 Phone: +1 315 437 5866  
 Fax: +1 315 437 5860  
 Email: info.us@jumo.net  
 Internet: www.jumousa.com



Measuring insert	DIN EN IEC 60751 1× Pt100 in 2-wire circuit 1× Pt100 in 3-wire circuit 1× Pt100 in 4-wire circuit 1× Pt1000 in 2-wire circuit 2× Pt100 in 2-wire circuit
Tolerance class	Class B (standard) Class A Class AA
Insertion length	50 to 1000 mm

**JUMO GmbH & Co. KG**  
 Delivery address: Mackenrodtstraße 14  
 36039 Fulda, Germany  
 Postal address: 36035 Fulda, Germany  
 Phone: +49 661 6003-0  
 Fax: +49 661 6003-607  
 Email: mail@jumo.net  
 Internet: www.jumo.net

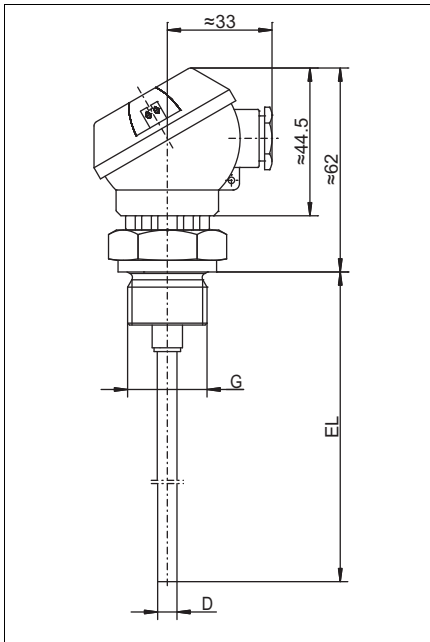
**JUMO UK LTD**  
 JUMO House  
 Temple Bank, Riverway  
 Harlow, Essex, CM20 2DY, UK  
 Phone: +44 1279 63 55 33  
 Fax: +44 1279 62 50 29  
 Email: sales@jumo.co.uk  
 Internet: www.jumo.co.uk

**JUMO Process Control, Inc.**  
 6724 Joy Road  
 East Syracuse, NY 13057, USA  
 Phone: +1 315 437 5866  
 Fax: +1 315 437 5860  
 Email: info.us@jumo.net  
 Internet: www.jumousa.com

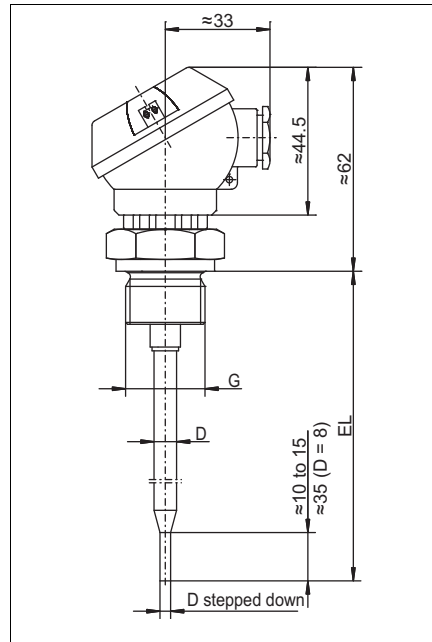


## Dimensions

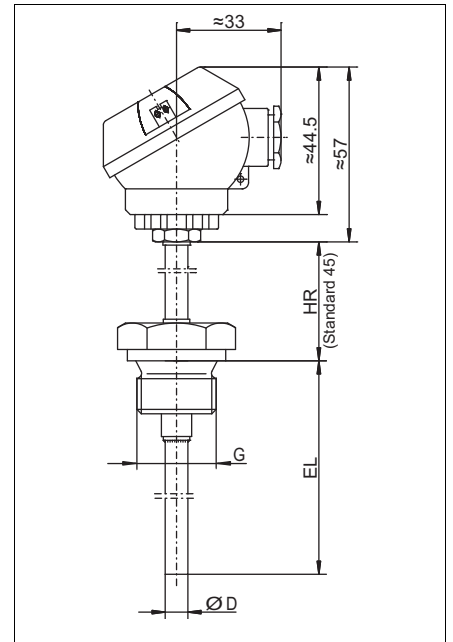
Type 902030/10  
 with straight protection tube



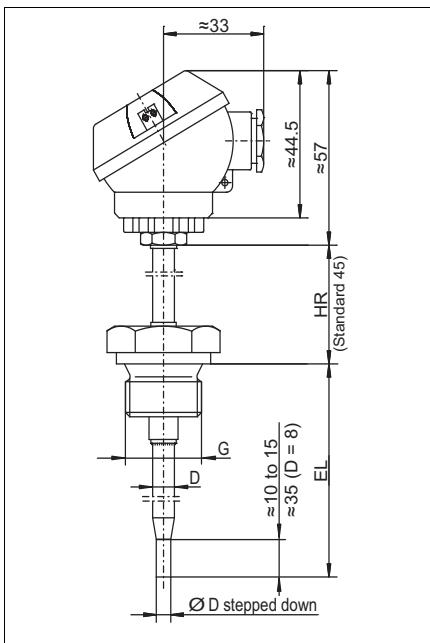
Type 902030/11  
 with tapered protection tube



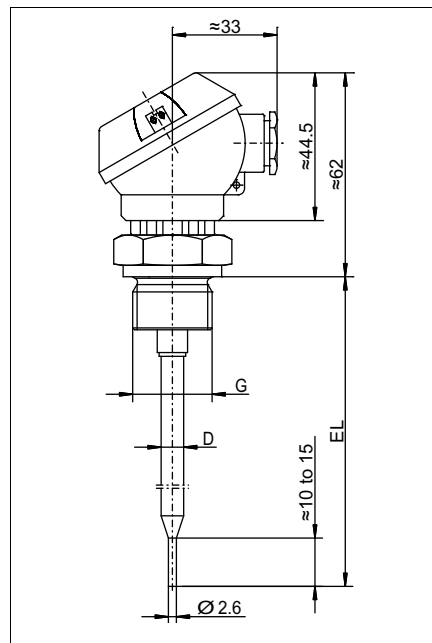
Type 902030/20  
 with extension tube and straight protection tube



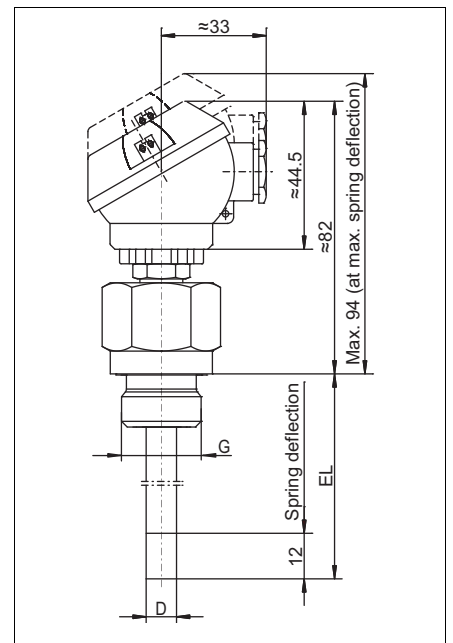
Type 902030/21  
 with extension tube and tapered protection tube



Type 902030/31  
 with tapered protection tube for air measurement



Type 902030/80  
 360° rotation, with spring-loaded screw connection, 12 mm spring deflection



Insofar as the design type allows it, yellow terminal heads are used for SIL and PL applications (extra code 658, 659, or 665). Exceptions to this are probes for use in alkaline environments and probes that are strictly required to be PWIS-free.

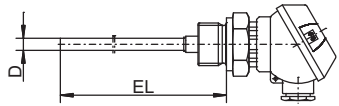
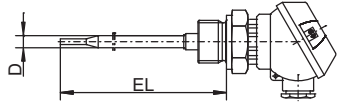
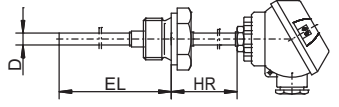
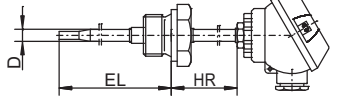
**JUMO GmbH & Co. KG**  
 Delivery address: Mackenrodtstraße 14  
 36039 Fulda, Germany  
 Postal address: 36035 Fulda, Germany  
 Phone: +49 661 6003-0  
 Fax: +49 661 6003-607  
 Email: mail@jumo.net  
 Internet: www.jumo.net

**JUMO UK LTD**  
 JUMO House  
 Temple Bank, Riverway  
 Harlow, Essex, CM20 2DY, UK  
 Phone: +44 1279 63 55 33  
 Fax: +44 1279 62 50 29  
 Email: sales@jumo.co.uk  
 Internet: www.jumo.co.uk

**JUMO Process Control, Inc.**  
 6724 Joy Road  
 East Syracuse, NY 13057, USA  
 Phone: +1 315 437 5866  
 Fax: +1 315 437 5860  
 Email: info.us@jumo.net  
 Internet: www.jumousa.com



## Order details

<b>(1) Basic type</b>			
902030/10	Screw-in RTD temperature probe with form J terminal head, with straight protection tube		
902030/11	Screw-in RTD temperature probe with form J terminal head, with tapered protection tube (for Ø 6 to Ø 3.5 mm; for Ø 8 to Ø 6 mm)		
902030/20	Screw-in RTD temperature probe with form J terminal head, with extension tube and straight protection tube		
902030/21	Screw-in RTD temperature probe with form J terminal head, with extension tube and tapered protection tube (for Ø 6 to Ø 3.5 mm; for Ø 8 to Ø 6 mm)		
<b>(2) Operating temperature</b>			
x x x x 386	-50 to +260 °C		
x x x x 402	-50 to +400 °C		
<b>(3) Measuring insert</b>			
x x x x 1003	1× Pt100 in 2-wire circuit		
x x x x 1001	1× Pt100 in 3-wire circuit		
x x x x 1011	1× Pt100 in 4-wire circuit		
x x x x 1005	1× Pt1000 in 2-wire circuit		
x x x x 2003	2× Pt100 in 2-wire circuit		
<b>(4) Tolerance class according to DIN EN IEC 60751</b>			
x x x x 1	Class B (standard)		
x x x x 2	Class A		
x x x x 3	Class AA		
<b>(5) Protection tube diameter D</b>			
x x x x 6	Ø 6 mm (standard)		
x x x x 8	Ø 8 mm		
<b>(6) Insertion length EL</b>			
x x ...	Specification in plain text (50 to 700 mm)		
x x ...	Specification in plain text (50 to 1000 mm)		
<b>(7) Process connection</b>			
x x x x 102	Screw connection G 1/4"		
x x x x 103	Screw connection G 3/8"		
x x x x 104	Screw connection G 1/2"		
x x 163	Union nut G 3/8"		
x x 164	Union nut G 1/2"		
x x 165	Union nut G 3/4"		
<b>(8) Extra codes</b>			
x x x x 000	None		
x x x x 424	Form J terminal head with M12 plug connector (not in conjunction with measuring insert 2001)		
x x x x 330	1× analog transmitter dTRANS T03 J according to data sheet 707030 (not in conjunction with extra code 658, 659, or 665)		
x x x x 950	Railway application according to DIN EN 50155		
x x 1160	H2 ready – mobile hydrogen applications		
x x x x 366	Inspection certificate 3.1 DIN EN 10204 tolerance/calibration		

**JUMO GmbH & Co. KG**  
 Delivery address: Mackenrodtstraße 14  
 36039 Fulda, Germany  
 Postal address: 36035 Fulda, Germany  
 Phone: +49 661 6003-0  
 Fax: +49 661 6003-607  
 Email: mail@jumo.net  
 Internet: www.jumo.net

**JUMO UK LTD**  
 JUMO House  
 Temple Bank, Riverway  
 Harlow, Essex, CM20 2DY, UK  
 Phone: +44 1279 63 55 33  
 Fax: +44 1279 62 50 29  
 Email: sales@jumo.co.uk  
 Internet: www.jumo.co.uk

**JUMO Process Control, Inc.**  
 6724 Joy Road  
 East Syracuse, NY 13057, USA  
 Phone: +1 315 437 5866  
 Fax: +1 315 437 5860  
 Email: info.us@jumo.net  
 Internet: www.jumousa.com



x	x	x	x	775	DAkks calibration according to ISO/IEC 17025
x	x	x	x	1150	Accuracy for temperature probe according to AMS 2750 (except Primary Standard, only in connection with tolerance class A or AA and 4-wire technology)
x	x	x	x	1151	Accuracy for temperature probe according to CQI-9 (except Primary and Secondary Standard, only in connection with tolerance class A or AA and 4-wire technology)
x	x	x	x	1152	Accuracy for temperature probe according to ISO 20431 (except Primary and Secondary Standard, nur in Verbindung mit Toleranzklasse A oder AA und 4-Leitertechnik)
x	x	x	x	658	SIL and PL-compatible (only in connection with safetyM safety temperature limiter/monitor according to data sheet 701150; not in connection with transmitters)
x	x	x	x	659	SIL and PL-compatible (only in connection with dTRANS T06 transmitter according to data sheet 707071; not in connection with other transmitters)
x	x	x	x	665	SIL and PL-compatible (only in connection with programmable dTRANS T07 T SIL two-channel transmitter with HART® communication and SIL according to data sheet 707080; not in connection with other transmitters)

Order code (1)  - (2)  - (3)  - (4)  - (5)  - (6)  - (7)  / (8)  , ...<sup>a</sup>

Order example 902030/10 - 386 - 1001 - 1 - 6 - 100 - 104 / 000

<sup>a</sup> List extra codes in sequence and separate using commas.

**JUMO GmbH & Co. KG**  
 Delivery address: Mackenrodtstraße 14  
 36039 Fulda, Germany  
 Postal address: 36035 Fulda, Germany  
 Phone: +49 661 6003-0  
 Fax: +49 661 6003-607  
 Email: mail@jumo.net  
 Internet: www.jumo.net

**JUMO UK LTD**  
 JUMO House  
 Temple Bank, Riverway  
 Harlow, Essex, CM20 2DY, UK  
 Phone: +44 1279 63 55 33  
 Fax: +44 1279 62 50 29  
 Email: sales@jumo.co.uk  
 Internet: www.jumo.co.uk

**JUMO Process Control, Inc.**  
 6724 Joy Road  
 East Syracuse, NY 13057, USA  
 Phone: +1 315 437 5866  
 Fax: +1 315 437 5860  
 Email: info.us@jumo.net  
 Internet: www.jumousa.com



		<b>(1) Basic type</b>	
	902030/31	Screw-in RTD temperature probe with form J terminal head, with tapered protection tube for air measurement (to Ø 2.6 mm)	
	902030/80	Screw-in RTD temperature probe with form J terminal head (360° rotation), with spring-loaded screw connection, 12 mm spring deflection	
		<b>(2) Operating temperature</b>	
x	x	378	-50 to +180 °C
		<b>(3) Measuring insert</b>	
x	x	1003	1× Pt100 in 2-wire circuit
x	x	1001	1× Pt100 in 3-wire circuit
x	x	1011	1× Pt100 in 4-wire circuit
x	x	1005	1× Pt1000 in 2-wire circuit
	x	2003	2× Pt100 in 2-wire circuit
		<b>(4) Tolerance class according to DIN EN IEC 60751</b>	
x	x	1	Class B (standard)
x	x	2	Class A
x	x	3	Class AA
		<b>(5) Protection tube diameter D</b>	
x		6	Ø 6 mm (standard)
	x	8	Ø 8 mm
		<b>(6) Insertion length EL</b>	
x		...	Specification in plain text (50 to 800 mm)
	x	...	Specification in plain text (50 to 1000 mm)
		<b>(7) Process connection</b>	
x	x	102	Screw connection G 1/4"
x	x	103	Screw connection G 3/8"
x	x	104	Screw connection G 1/2"
		<b>(8) Extra codes</b>	
x	x	000	None
x	x	424	Form B terminal head with M12 plug connector (not in conjunction with measuring insert 2001)
x	x	330	1× analog transmitter dTRANS T03 J according to data sheet 707030 (not in conjunction with extra code 658, 659, or 665)
x	x	950	Railway application according to DIN EN 50155
x	x	366	Inspection certificate 3.1 DIN EN 10204 tolerance/calibration
x	x	775	DAkkS calibration according to ISO/IEC 17025
	x	1150	Accuracy for temperature probe according to AMS 2750 (except Primary Standard, only in connection with tolerance class A or AA and 4-wire technology)
	x	1151	Accuracy for temperature probe according to CQI-9 (except Primary and Secondary Standard, only in connection with tolerance class A or AA and 4-wire technology)
	x	1152	Accuracy for temperature probe according to ISO 20431 (except Primary and Secondary Standard, nur in Verbindung mit Toleranzklasse A oder AA und 4-Leitertechnik)
x	x	658	SIL and PL-compatible (only in connection with safetyM safety temperature limiter/monitor according to data sheet 701150; not in connection with transmitters)
x	x	659	SIL and PL-compatible (only in connection with dTRANS T06 transmitter according to data sheet 707071; not in connection with other transmitters)
	x	665	SIL and PL-compatible (only in connection with programmable dTRANS T07 T SIL two-channel transmitter with HART® communication and SIL according to data sheet 707080; not in connection with other transmitters)

**JUMO GmbH & Co. KG**  
 Delivery address: Mackenrodtstraße 14  
 36039 Fulda, Germany  
 Postal address: 36035 Fulda, Germany  
 Phone: +49 661 6003-0  
 Fax: +49 661 6003-607  
 Email: mail@jumo.net  
 Internet: www.jumo.net

**JUMO UK LTD**  
 JUMO House  
 Temple Bank, Riverway  
 Harlow, Essex, CM20 2DY, UK  
 Phone: +44 1279 63 55 33  
 Fax: +44 1279 62 50 29  
 Email: sales@jumo.co.uk  
 Internet: www.jumo.co.uk

**JUMO Process Control, Inc.**  
 6724 Joy Road  
 East Syracuse, NY 13057, USA  
 Phone: +1 315 437 5866  
 Fax: +1 315 437 5860  
 Email: info.us@jumo.net  
 Internet: www.jumousa.com



Order code                                            (1) - (2) - (3) - (4) - (5) - (6) - (7) - (8) / , ...<sup>a</sup>  
 Order example                                            902030/31 - 378 - 1001 - 1 - 6 - 100 - 104 / 000

<sup>a</sup> List extra codes in sequence and separate using commas.

## Stock versions

Order code	Part no.
902030/10-402-1003-1-6-50-104/000	00055692
902030/10-402-1003-1-6-100-104/000	00055693
902030/10-402-1003-1-6-150-104/000	00055694
902030/10-402-1003-1-6-300-104/000	00065691
902030/10-402-1003-1-6-250-104/000	00533433
902030/10-402-2003-1-6-50-104/000	00383011
902030/10-386-1003-1-6-100-104/330 (-50 to +260 °C)	30061780
902030/10-386-1003-1-6-250-104/330 (-50 to +260 °C)	30061811
902030/10-386-1003-1-8-400-104/330 (-50 to +260 °C)	30061812
902030/20-402-1001-1-8-400-104/000	30061813
902030/21-402-1003-1-8-250-104/000	30061814

## Accessories

Designation	Data sheet
Screw-in and welding protective sleeves	

### Further information and downloads



[jmo.to/902030-en](http://jmo.to/902030-en)

## Trademark information

All trademarks and trade and company names used are the property of their rightful owners or authors.